

Recessed CE3535

CE3535-A45



CE3535-A45

Basic Parameters

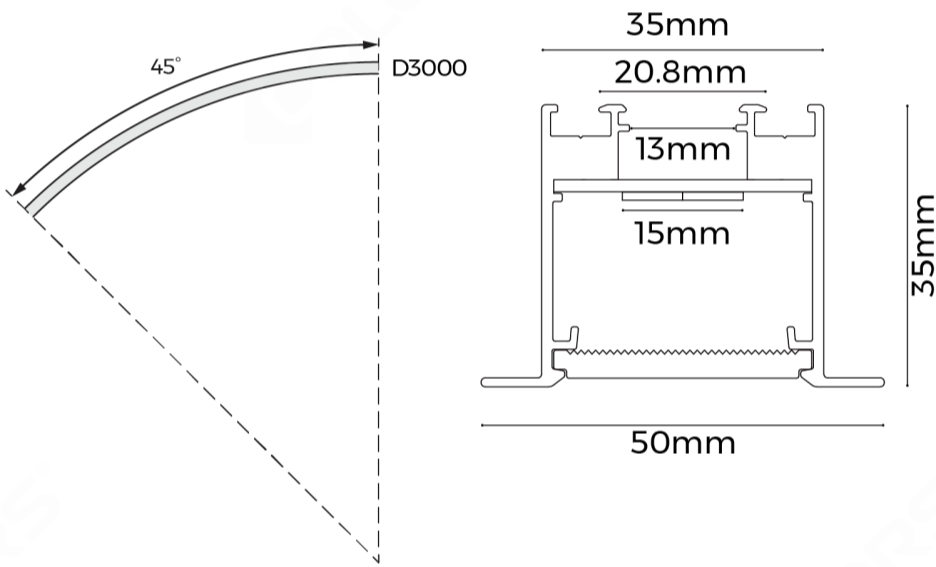
Application	Indoor
Material	AL6063-T5,spraying surface
IP Grade	IP20
Warranty	5 years

Electrical Parameters

Optical Parameters

SDCM	≤3 Step(ANSI)
Length	D3000mm
Luminous Efficacy	70LM/W

Dimensions

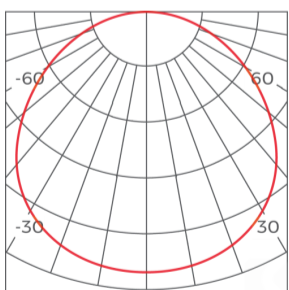


Luminaire Parameters

Version	Size(mm)	Power(W)	PCB Current(A)	CRI	CCT	Lumens(LM) @White, Sliver	Lumens(LM) @Black
Regular	D3000mm	22	0.92	>80	4000K	1540	1309
Regular	D3000mm	22	0.92	>90	4000K	1324	1125

Light Distribution

Regular-110°



h(m)	D(cm)	E(lx)
1	277	534
2	554	133
3	831	58
4	1108	32

Common Accessories

Splicing accessory



EX-E15

Applicable product model: CS3535/C E3535 Material process:SPCC/ Electro phoresis Size: L31.5*W30*H18mm Quantity: 1 PCS/SET Other:Includes mounting screws.

Dedicated light source



DA1682415

Applicable product model : AS3535/AH5060 Size: 5000*15*1.5mm Cutting Unit : 35.71mm Input Voltage : DC24V Typ.Power : 20W/M Typ.luminous flux: 756LM/M CCT:RGB CRI: / Other : 20# wire diameter, outer diameter 5mm, red-green-blue-white 4PIN transparent crystal cable



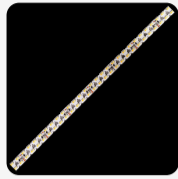
DMA1202415

Applicable product model : AS3535/AH5060 Size: 4000*15*1.5mm Cutting Unit : 50mm Input Voltage : DC24V Typ.Power : 25W/M Typ.luminous flux: 724LM/M CCT: RGB Control Mode:DMX CRI: / Other : 20# wire diameter, outer diameter 5mm, red-green-blue-white 4PIN transparent crystal cable



DS81602415

Applicable product model : AS3535/AH5060 Size: 5000*15*1.5mm Cutting Unit : 50mm Input Voltage : DC24V Typ.Power : 19.2W/M Typ.luminous flux: 2880LM/M CCT: 2700/3000/3500/4000/5000/6500K CRI: 80/90 Other : 18# wire diameter,PVC material, 2PIN red-black wire



DS83202415

Applicable product model:AS3535/AH5060 Size: 4000*15*1.5mm Cutting Unit:50mm/16LEDs Input Voltage:DC24V Typ.Power:38.4W/M(2700K+6500K) Typ.luminous flux: 2880LM/M@2700K CCT: 2700K+6500K CRI: 80/90 Other:Outer diameter 6mm,18# wire diameter, brown-blue-green 3PIN crystal wire

Cover



CV-CS3535D

Applicable product model:CS3535/CS3570/CE3535(suitable for down-lighting) Diffuser Nature: Diffuser Material process: silica gel flexible/frosting Light transmittance:≥55% Size: 20000*32*3.5mm Other: Fire protection rating UL94-V2; increased silicone oil on both sides (dustproof)

Controller



CR2-GBA

Product Name: CR2-GBA Input Voltage: 12-48V Output Current:8A*2CH,Max 16A Output Power:192W/384W@12V/24V , 384W/576W@36V/48V Dimming Mode: Two-color 2.4 remote control IP:IP20 Product Size:L175*W45*H27(mm)

End cap accessory



EC-ME3535

Applicable product model: ME3535 Material process: aluminum/ powder spraying Size: L50*W35*H2.5mm Quantity:2PCS/ set

Installation accessory



CP-53

Applicable product model: MS3535/MS3570/ME3535 Applicable installation: Pendant/Ceiling/Recessed Material process: Stainless Steel Size: L22.67*W20*H5.3mm Quantity: 4 PCS/SET



RB-04

Applicable product model: ME3535/ME5035/ME7035 Installation method: Recessed Material process: aluminum alloy/oil spray Size: 24*6.9*15.7mm Quantity: 4PCS/ set

CCT-Remote control



R7-1

Product Name:R7-1 Dual Color Remote
 Working Voltage : 3VDC (Battery CR2032)
 Operating Frequency:2.4GHz
 Remote Control Distance: 30 meters
 Operating Temperature: -30°C~55°C
 Product Size: L107*W58.5*H9(mm)

Power Supply

BK-DEV200-24V0D



Applicable product model: General
 Dimming mode: DALI2,PUSH-dimming,1-10V 3in1 dimming
 Size: 361*33.1*22.8mm
 Input voltage: AC200~240V
 Operating frequency: 50/60Hz
 PF value: ≥ 0.9
 Output voltage: DC24V
 Output current: $\leq 8.3A$
 Power: 200W
 Efficiency: 0.92
 Certification: TUV, CE, RCM
 Case material: Metal housing

BK-DGVX-24V0D



Product Name: BK-DGV036-24V0D/BK-DGV060-24V0D/BK-DGV100-24V0D
 Applicable product model: General
 Output power: 36W/60W/100W
 Output current: $\leq 1.5A/\leq 2.5A/\leq 4.2A$
 Product size: 245.0*30.0*21.0mm/285.0*30.0*21.0mm/355.0*30.0*21.0mm
 Input voltage: AC200~240V
 Operating frequency: 50/60Hz
 Output voltage: DC24V
 PF value: ≥ 0.9
 Efficiency: ≥ 0.88
 IP: IP20
 Dimming mode: DALI-2,PUSH-Dimming,1-10V 3in1 Dimming
 Certification: CE, ENEC, UKCA, RCM, CCC, EL
 Material: Metal housing
 Warranty: 5 years

BK-MEV200-24V0M



Applicable product model: General
 Dimming mode: 1-10V Dimming
 Size: 321.5*48*30mm
 Input voltage: AC200~240V
 Operating frequency: 50/60Hz
 PF value: ≥ 0.9
 Output voltage: DC24V
 Output current: $\leq 8.3A$
 Power: 200W
 Efficiency: 0.93
 Certification: CE, ENEC, UKCA, RCM, CCC, EL
 Case material: Metal housing

BK-MGVX-24V0M



Product Name: BK-MGV036-24V0M/BK-MGV060-24V0M/BK-MGV100-24V0M
 Applicable product model: General
 Output power: 36W/60W/100W
 Output current: $\leq 1.5A/\leq 2.5A/\leq 4.2A$
 Product size: 245.0*30.0*21.0mm/285.0*30.0*21.0mm/355.0*30.0*21.0mm
 Input voltage: AC200~240V
 Operating frequency: 50/60Hz
 Output voltage: DC24V
 PF value: ≥ 0.9
 Efficiency: ≥ 0.89
 IP: IP20
 Dimming mode: 1-10V Dimming
 Certification: TUV, CE, ENEC, RCM
 Material: Metal housing
 Warranty: 5 years

LF-GHYXH24



Applicable product model: General
 Dimming mode: Non-Dimming
 Size: 316*30.7*22.8mm / 361*33.1*22.8mm
 Input voltage: AC220~240V
 Operating frequency: 50/60Hz
 PF value: ≥ 0.9
 Output voltage: DC24V
 Output current: $\leq 4.25A / \leq 10A$
 Power: 100W / 240W
 Efficiency: 0.92
 Certification: ENEC, CE, CB, RCM, UKCA, MM, CCC
 Case material: Plastic

Packing

QTY/CTN	N. WT (ctn)	G.WT (ctn)	Size (cm/carton)	Product Size (mm)
12	16.3	17.8	118*48*21	D3000*35*35mm

Attentions

1. Non-professionals are prohibited from installing, disassembling and repairing the product.
2. Avoid scratching, distortion and irregular bending of the product during installation; otherwise it may cause irreparable damage to the product.
3. Please use professional cutting tools when cutting.
4. Do not use any acid or alkaline adhesive to fix products.
5. The product is only suitable for indoor dry places, can not be used in outdoor, seaside or wet environment.
6. PC features: Each 10°C rise or drop will make diffuser extend or shrink 0.8mm/m[0.01"/ft], please confirm before processing and use.